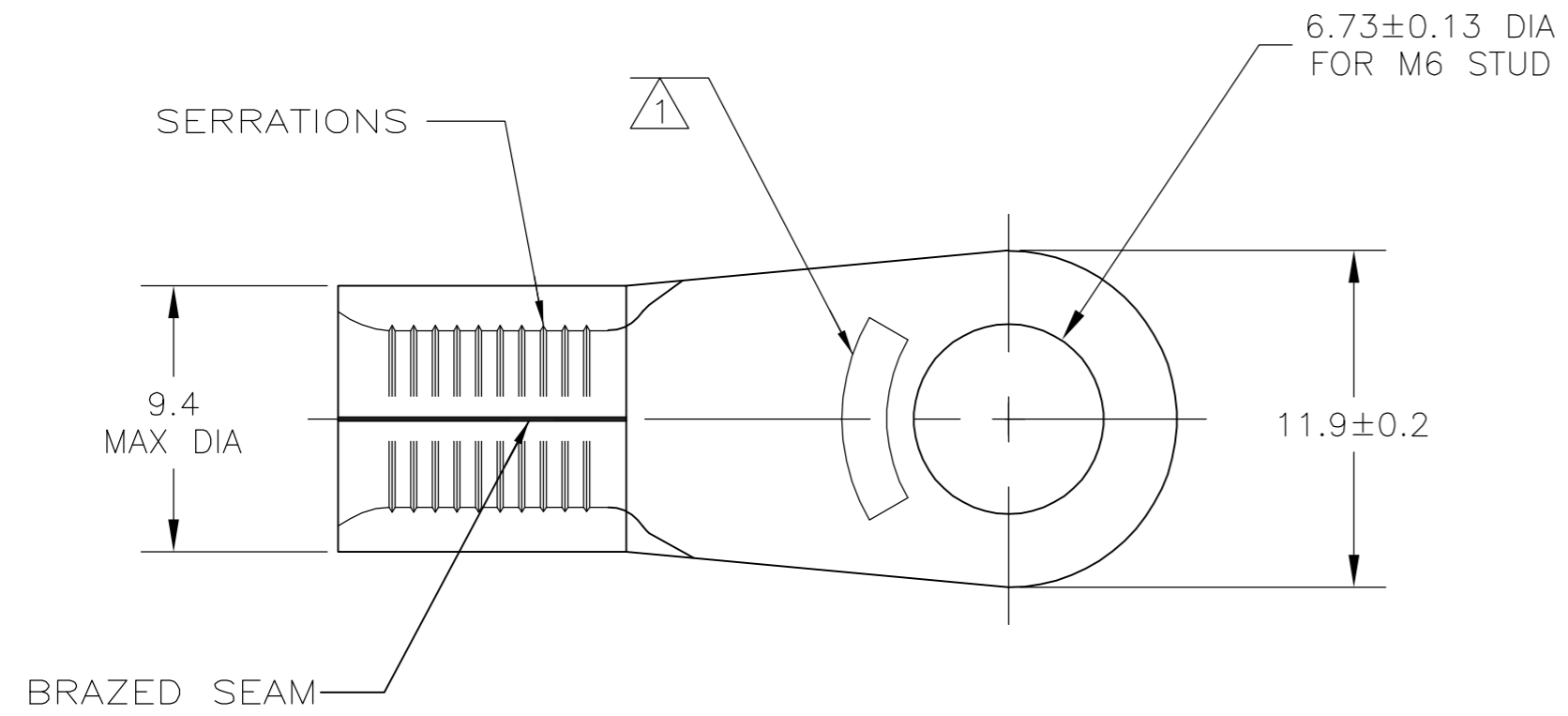


THIS DRAWING IS UNPUBLISHED. RELEASED FOR PUBLICATION
 © COPYRIGHT BY TYCO ELECTRONICS CORPORATION. ALL RIGHTS RESERVED.

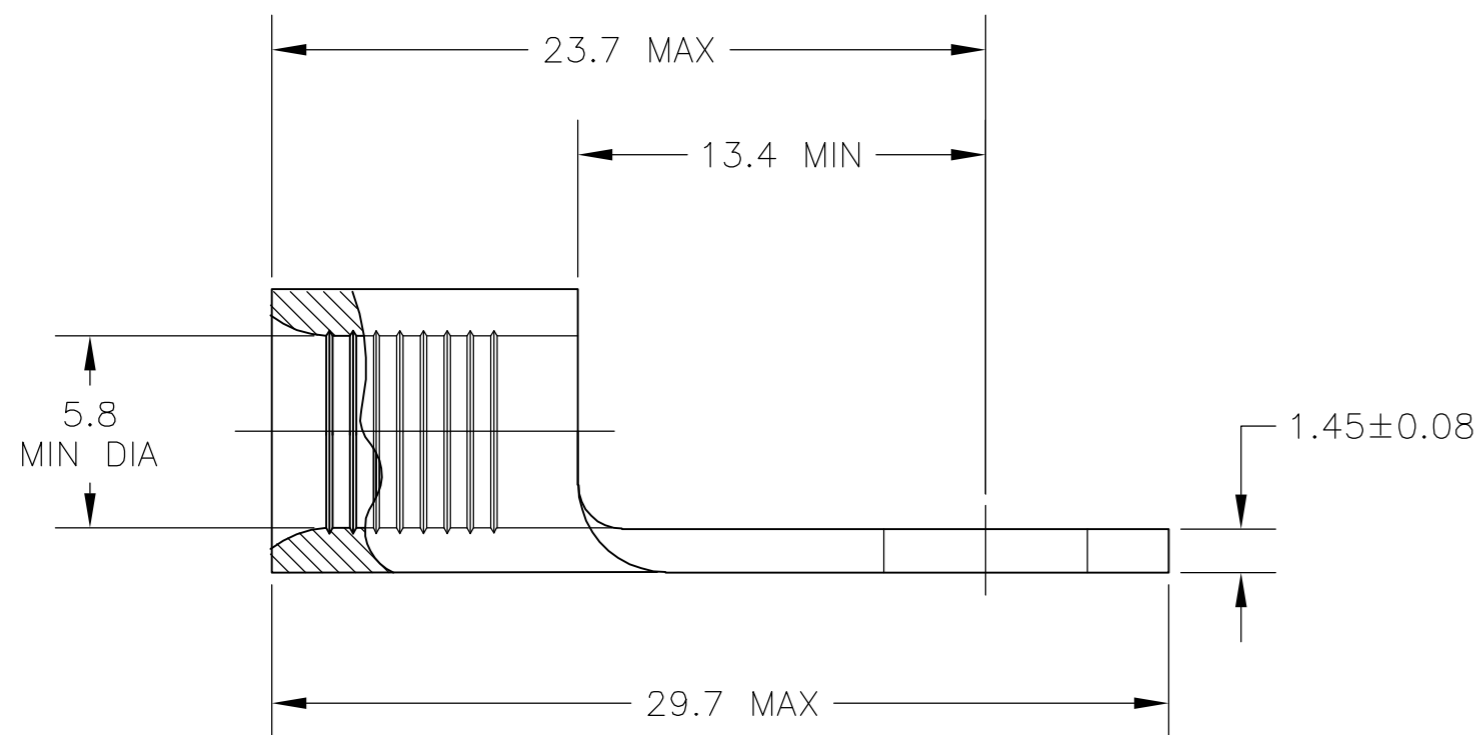
LOC	DIST	REVISIONS					
		P	LTR	DESCRIPTION	DATE	DWN	APVD
G	14		A	REDRAWN PER ECR 05-010490	08SEP05	JR	TM



AMP
WIRE RANGE

6 AWG
SOLID OR STRANDED

- 1 STAMP AMP 6* APPROX AS SHOWN
- 2 COPPER PER ASTM B-152, ANNEALED
- 3 MAX OPERATING TEMP IS 170°C
- 4 WIRE CROSS SECTIONAL AREA RANGE:
10.5-16.8mm² [20,800-33,100] CIR MILS
SOLID OR STRANDED WIRE



LOOSE PIECE BOX	25	TIN PLATE 0.00254[.000100] MIN THK PER ASTM B-545	8-130554-1
LOOSE PIECE	100	TIN PLATE 0.00254[.000100] MIN THK PER ASTM B-545	130554
PACKAGE TYPE	QTY	FINISH	PART NO.

THIS DRAWING IS A CONTROLLED DOCUMENT.		DWN	JR RUTH	08SEP05	 Tycos Electronics Corporation Harrisburg, Pa 17105-3608							
DIMENSIONS:		CHK	T MICHIELUTTI	08SEP05					NAME			
mm INCHES		APVD	T MICHIELUTTI	08SEP05					PRODUCT SPEC			
TOLERANCES UNLESS OTHERWISE SPECIFIED:		APPLICATION SPEC							TERMINAL, RING TONGUE, SOLISTRAND			
0 PLC ± -		WEIGHT			SIZE	CAGE CODE	DRAWING NO	RESTRICTED TO				
1 PLC ± -		CUSTOMER DRAWING			A2	00779	C=130554	-				
2 PLC ± -		SCALE			4:1							
3 PLC ± -		SHEET			1 OF 1							
4 PLC ± -		REV			A							
ANGLES ± -												
FINISH		SEE TABLE										